

**ROTORCOMP®**  
**VERDICHTER**

INNOVATION

QUALITY

RELIABILITY

WORLDWIDE

# ROTORCOMP®

The Screw Compressor Company



ZERTIFIKAT ♦ CERTIFICATE ♦ 認証書 ♦ СЕРТИФИКАТ ♦ CERTIFICADO ♦ CERTIFICAT

MASDU18 05



Management Service

# CERTIFICATE

The Certification Body  
of TÜV SÜD Management Service GmbH  
certifies that

**ROTORCOMP  
VERDICHTER**

**ROTORCOMP VERDICHTER GmbH**  
Industriestraße 9  
D-82110 Germering

has established and applies  
a Quality Management System for

**Development and Sales of screw compressor  
air ends and compact units, special aggregates and components  
for manufacturing compressor packages.**

An audit was performed, Report No. 70008415  
Proof has been furnished that the requirements  
according to

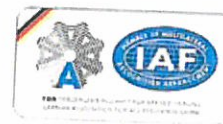
**ISO 9001: 2000**

are fulfilled. The certificate is valid until 2009-12-03  
Certificate Registration No. 12 100 17634/02 TMS



*M. Nagel*

Munich, 2006-12-08

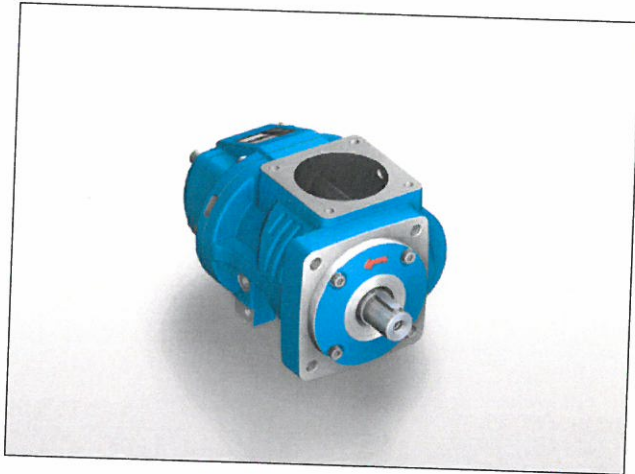


QMS-TGA-ZM-07-92

TÜV SÜD Management Service GmbH • Zertifizierstelle • Ridlerstraße 65 • 80339 München • Germany

# EVO2

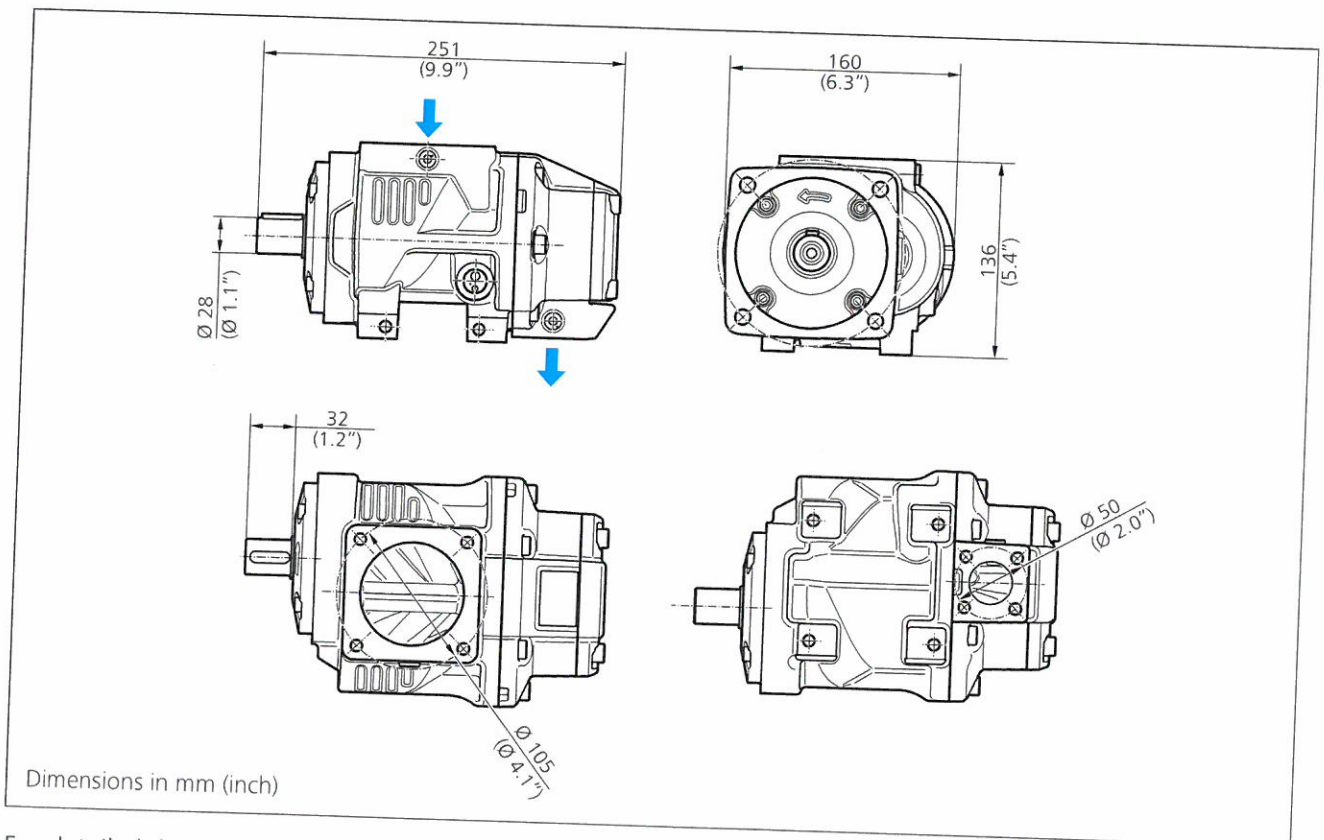
## Air end



### TECHNICAL SPECIFICATION

› Power range up to	11 kW / 15 HP
› Capacity up to	1.6 m³/min / 60 cfm
› Pressure up to	15 barg / 220 psig
› Weight approx.	15 kg / 33 lbs

### ››› Dimensioning

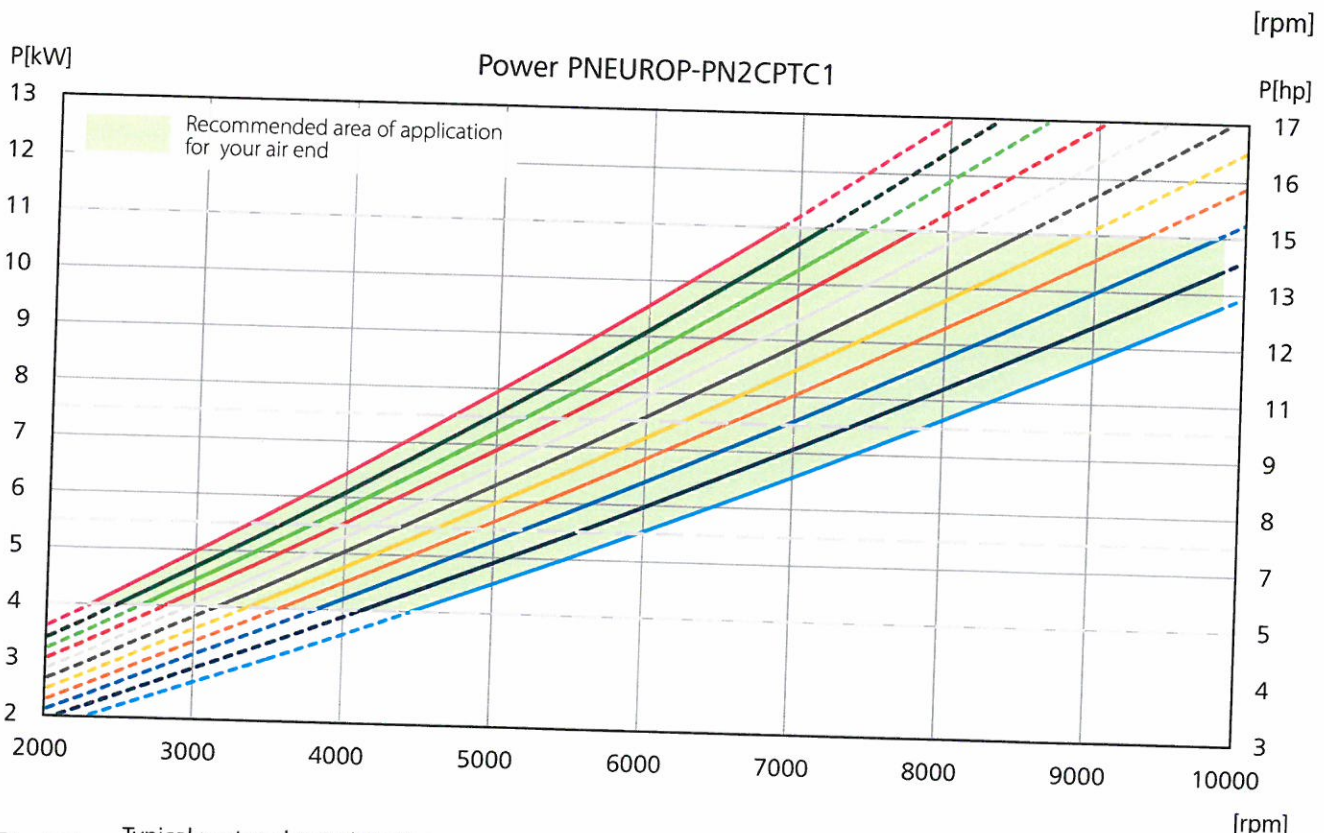
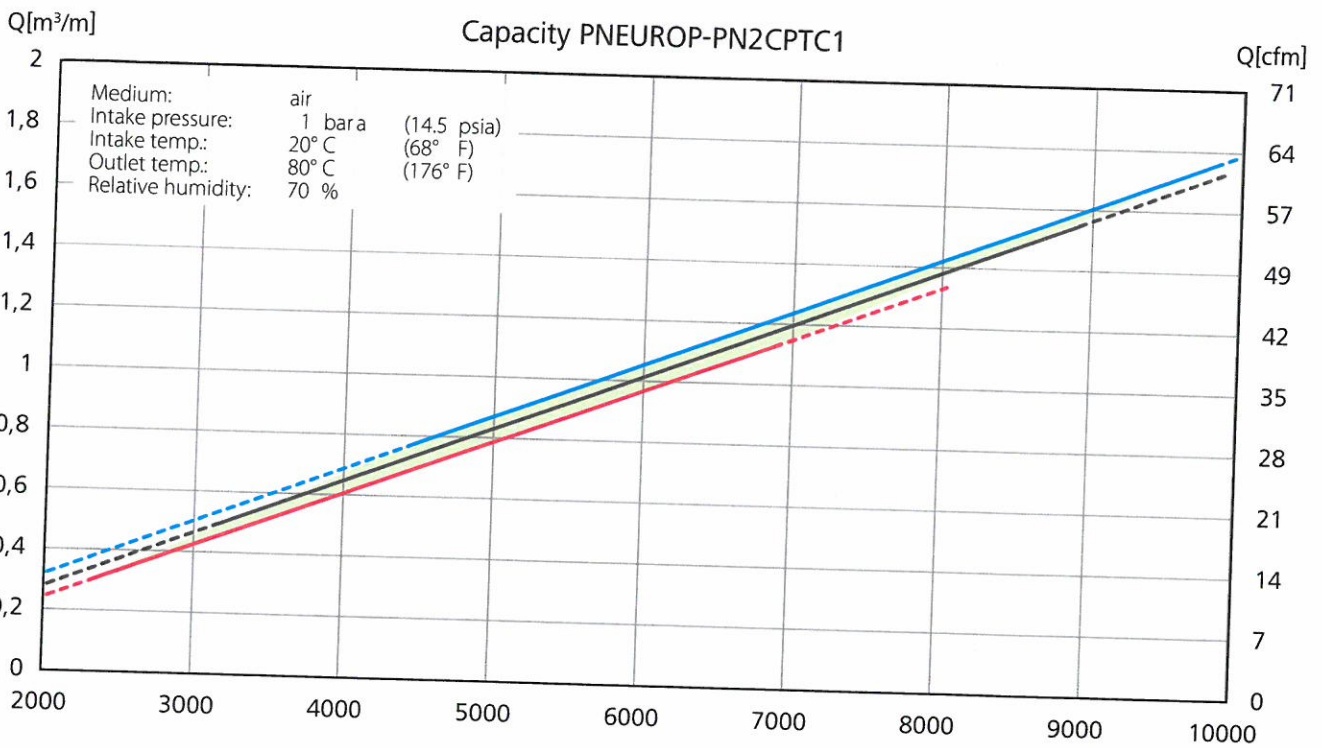


For detailed design, please order the installation drawing/3d model.

Technical modifications and errors excepted!  
© 2013 ROTORCOMP®, Germany



# Performance Data



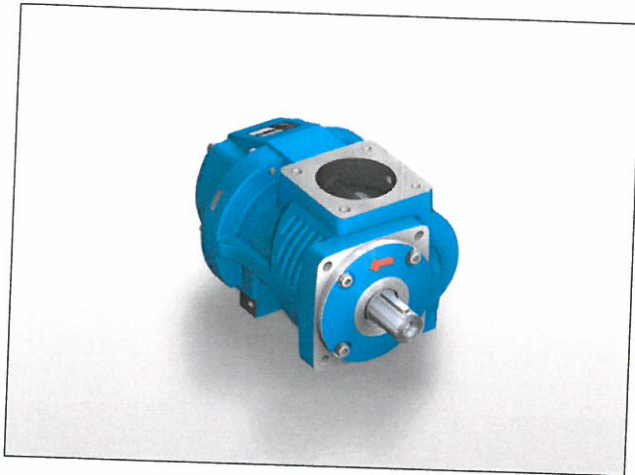
- Typical motor characteristic lines
- |                                       |   |                                       |   |   |  |   |                                       |   |   |  |      |
|---------------------------------------|---|---------------------------------------|---|---|--|---|---------------------------------------|---|---|--|------|
| <span style="color: blue;">■</span> 5 | <span style="color: darkblue;">■</span> 6 | <span style="color: blue;">■</span> 7 | <span style="color: orange;">■</span> 8 | <span style="color: yellow;">■</span> 9 | <span style="color: grey;">■</span> 10 | <span style="color: lightgrey;">■</span> 11 | <span style="color: red;">■</span> 12 | <span style="color: green;">■</span> 13 | <span style="color: darkgreen;">■</span> 14 | <span style="color: pink;">■</span> 15 | barg |
| 73                                    | 87  | 102                                   | 116                                     | 131                                     | 145                                    | 160   | 174                                   | 189                                     | 203   | 218                                    | psig |

Technical modifications and errors excepted!  
 © 2013 ROTORCOMP®, Germany

[www.rotorcomp.de](http://www.rotorcomp.de)

# EVO3

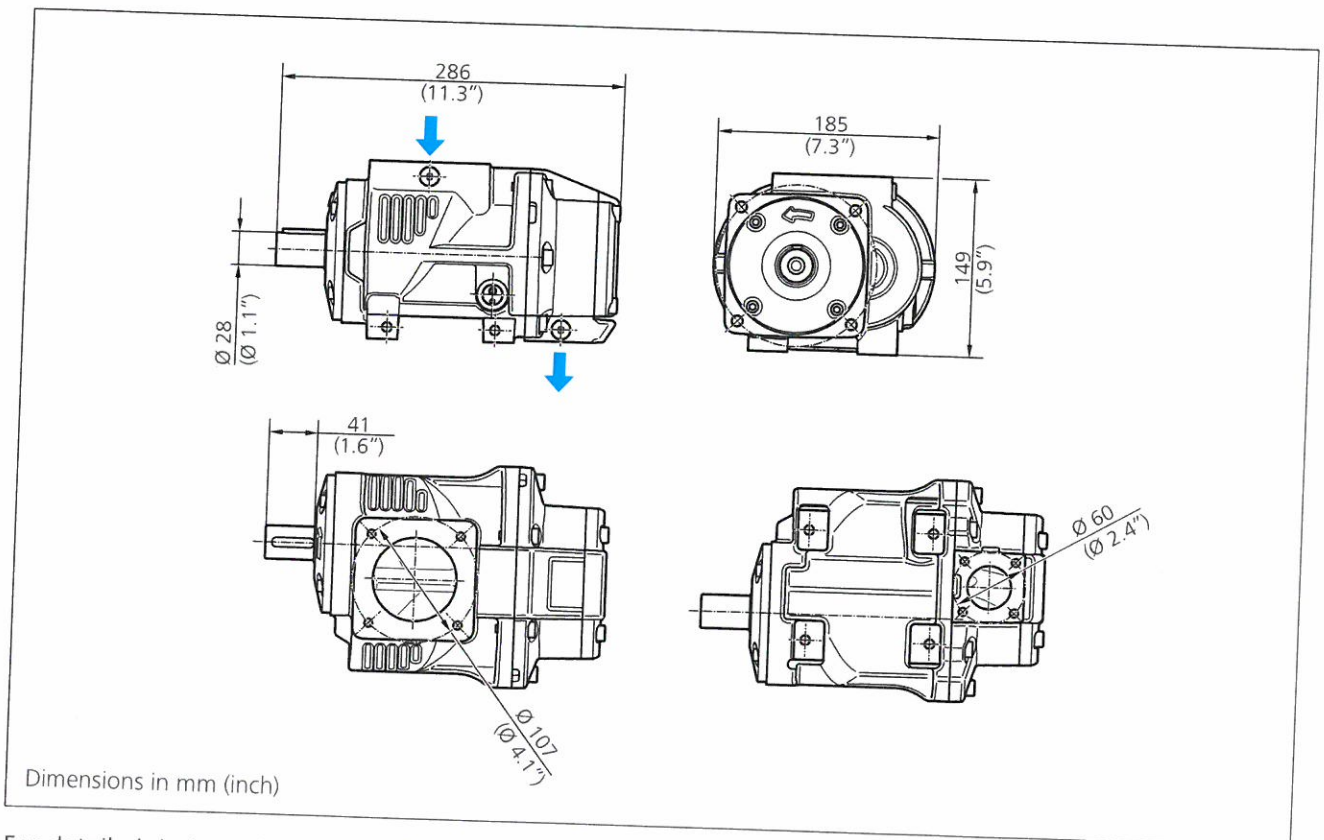
## Air end



### TECHNICAL SPECIFICATION

› Power range up to	18.5 kW / 25 HP
› Capacity up to	2.8 m <sup>3</sup> /min / 100 cfm
› Pressure up to	15 barg / 220 psig
› Weight approx.	21 kg / 46 lbs

### ››› Dimensioning

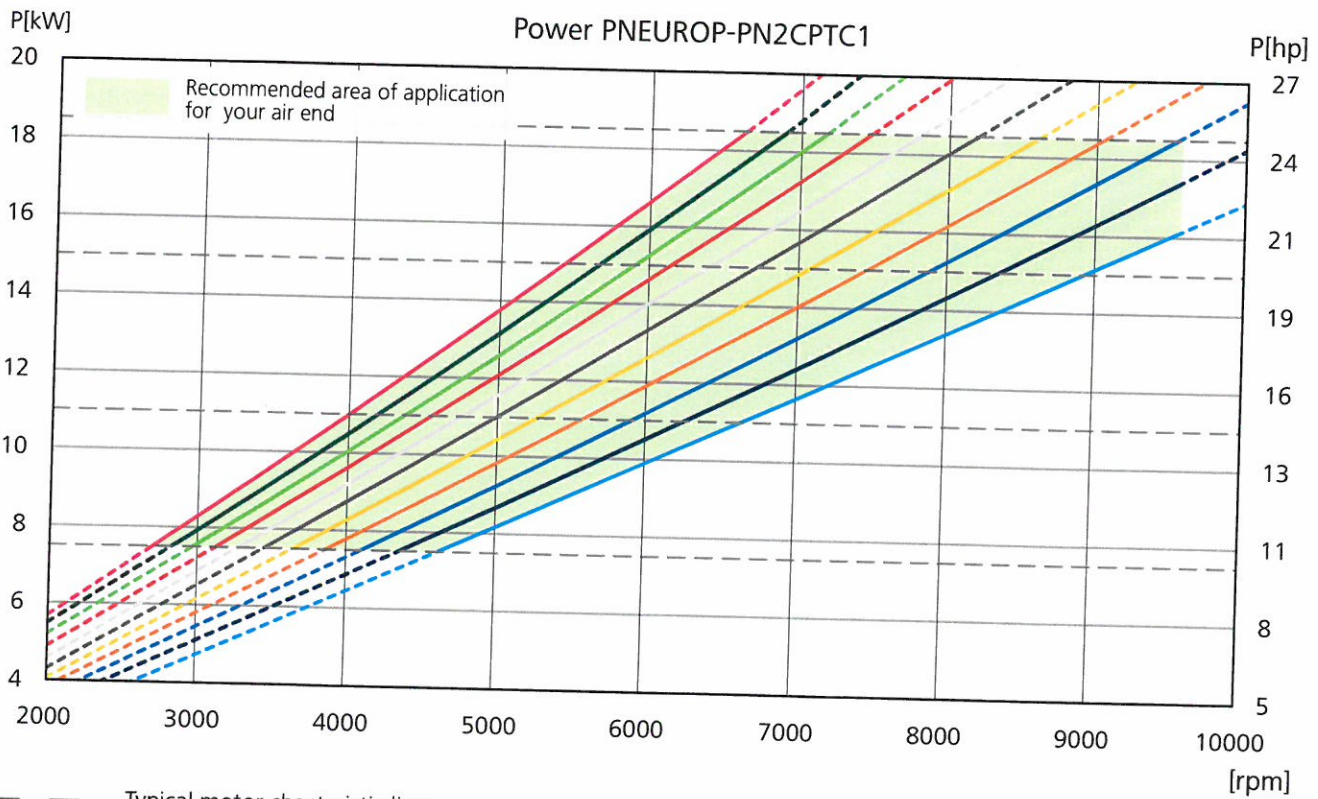
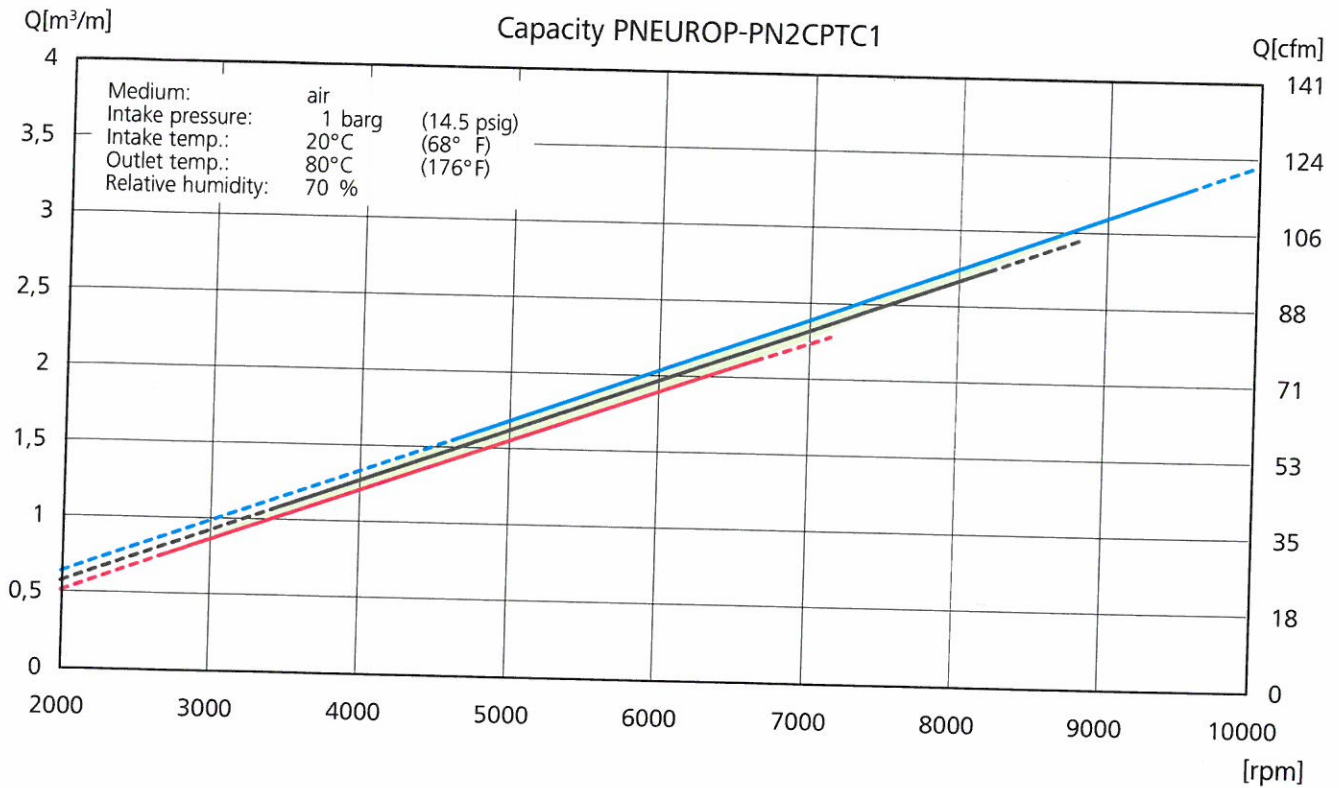


For detailed design, please order the installation drawing/3d model.

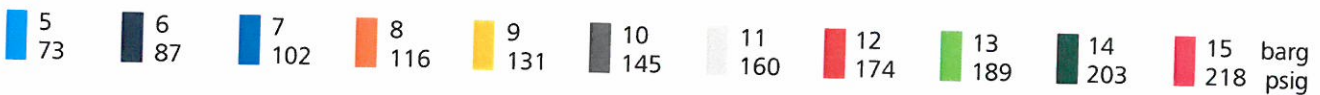
Technical modifications and errors excepted!  
© 2013 ROTORCOMP®, Germany



# Performance Data



— Typical motor characteristic lines

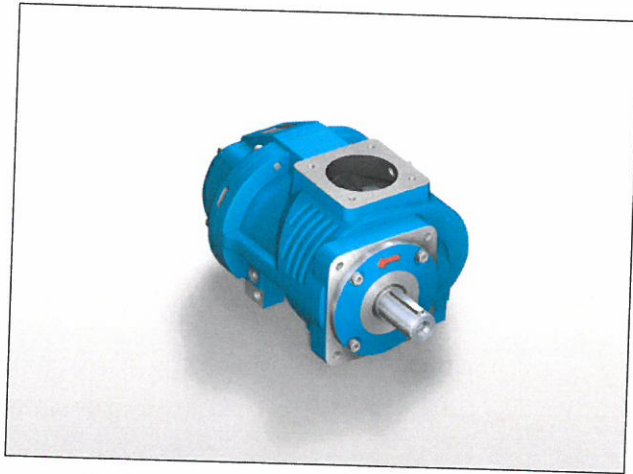


Technical modifications and errors excepted!  
 © 2013 ROTORCOMP®, Germany

[www.rotorcomp.de](http://www.rotorcomp.de)

# EVO6

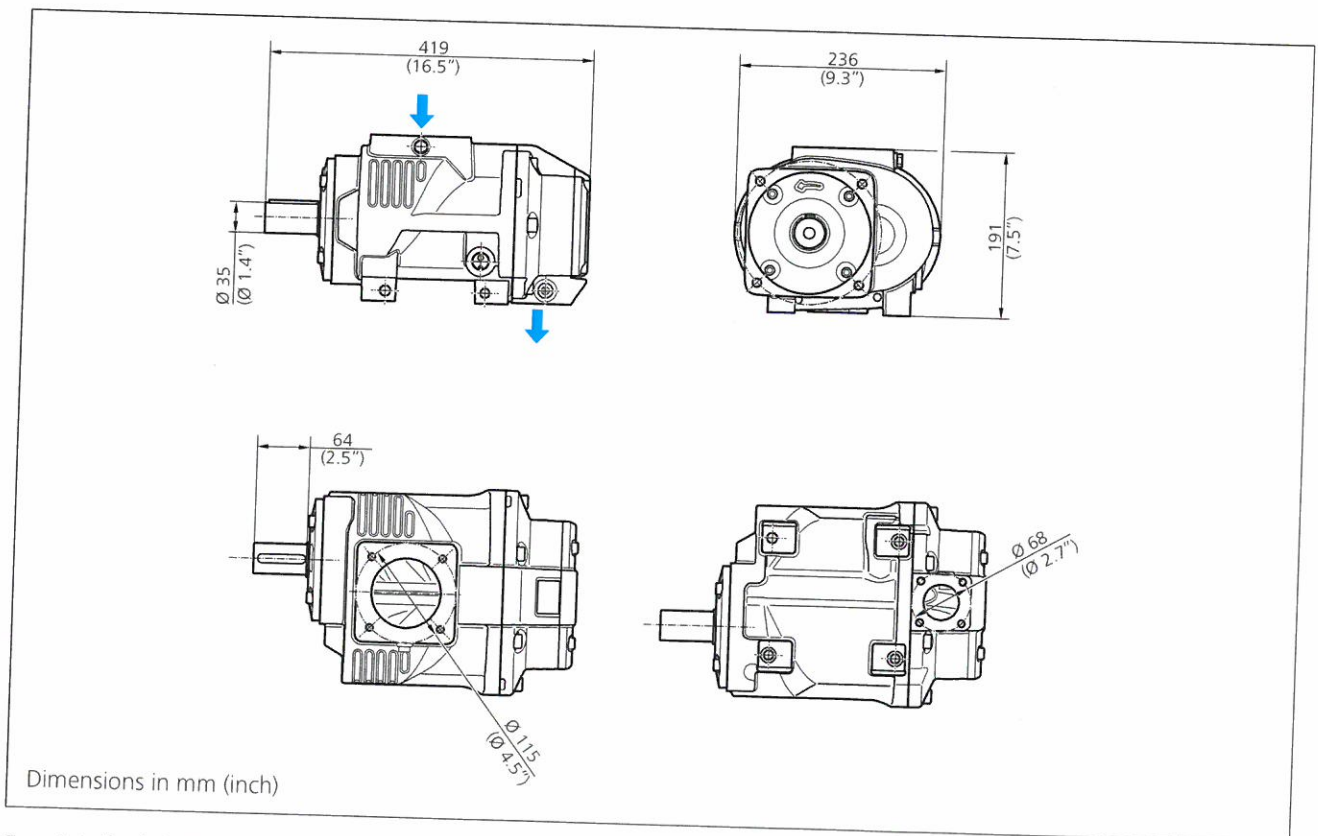
## Air end



### TECHNICAL SPECIFICATION

› Power range up to	37 kW / 50 HP
› Capacity up to	5.5 m <sup>3</sup> /min / 200 cfm
› Pressure up to	15 barg / 220 psig
› Weight approx.	45 kg / 99 lbs

### ››› Dimensioning

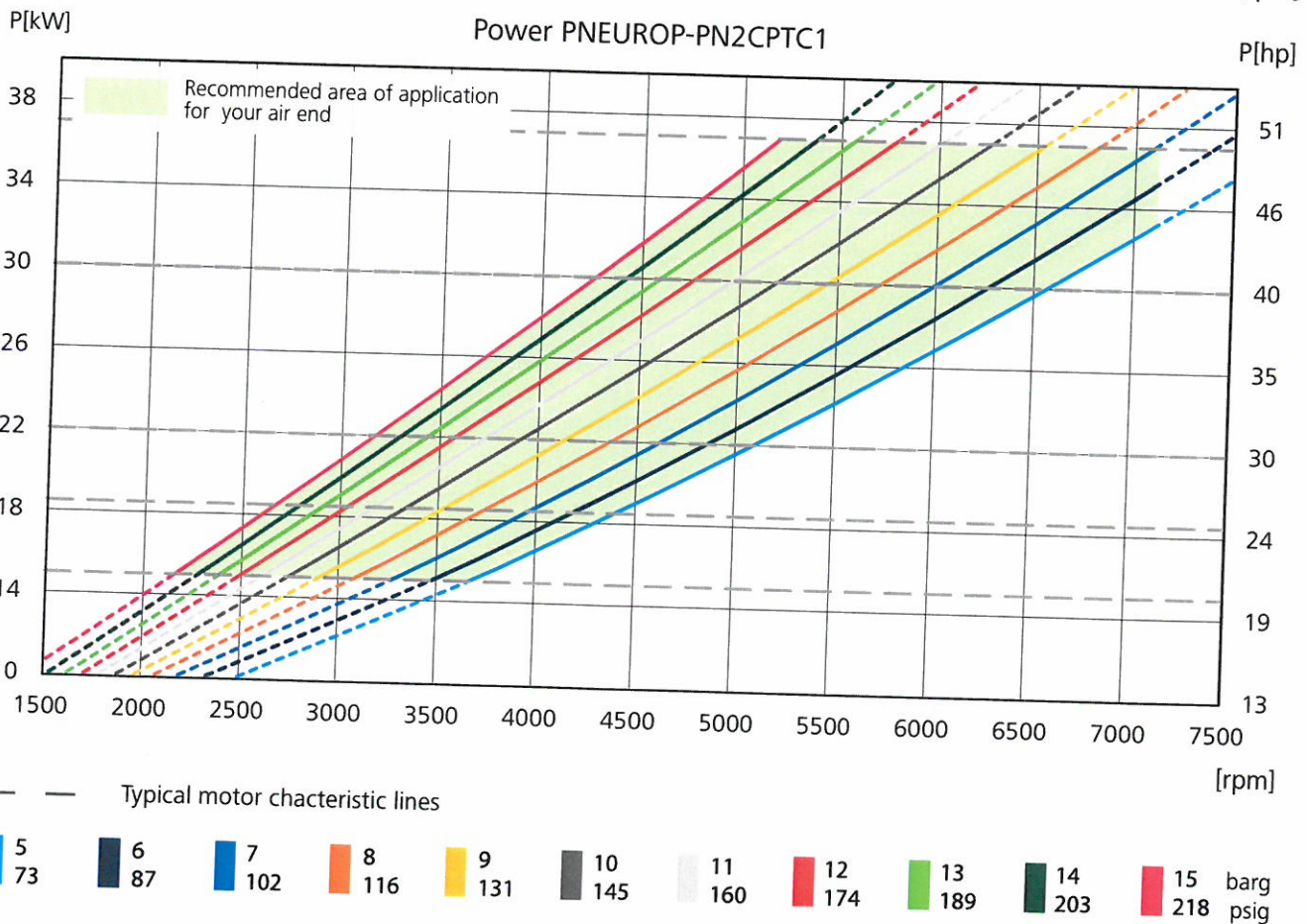
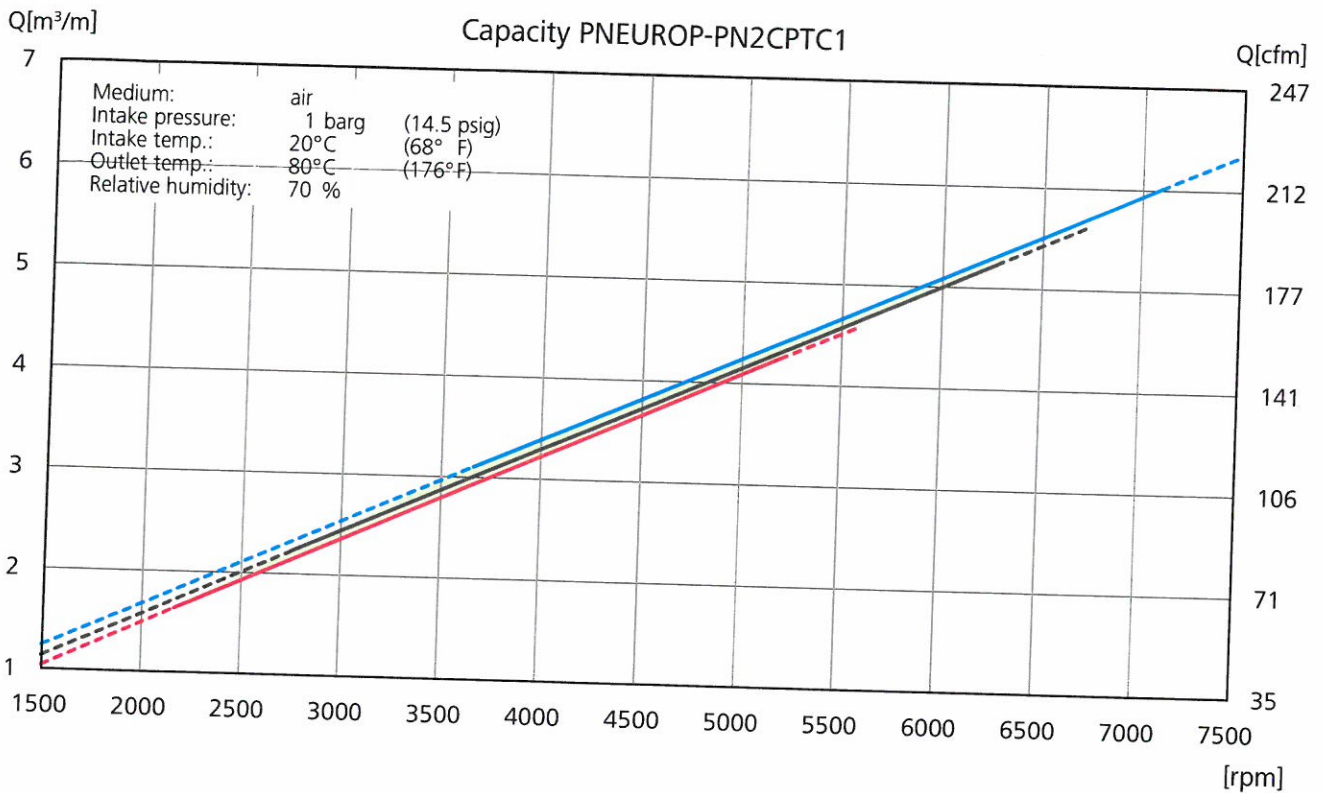


For detailed design, please order the installation drawing/3d model.

Technical modifications and errors excepted!  
© 2013 ROTORCOMP®, Germany



# Performance Data



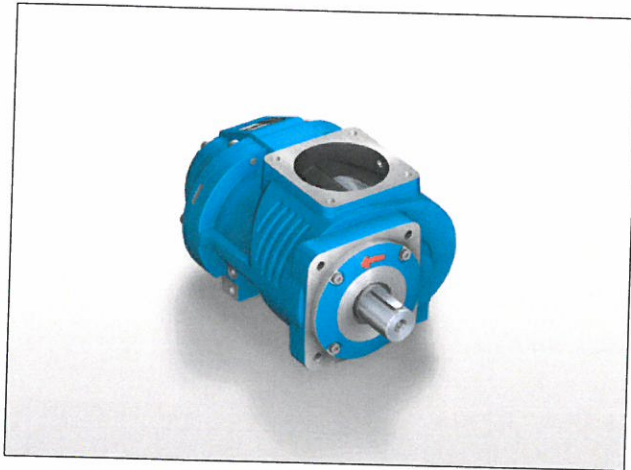
Technical modifications and errors excepted!  
 © 2013 ROTORCOMP®, Germany

[www.rotorcomp.de](http://www.rotorcomp.de)



# EVO9

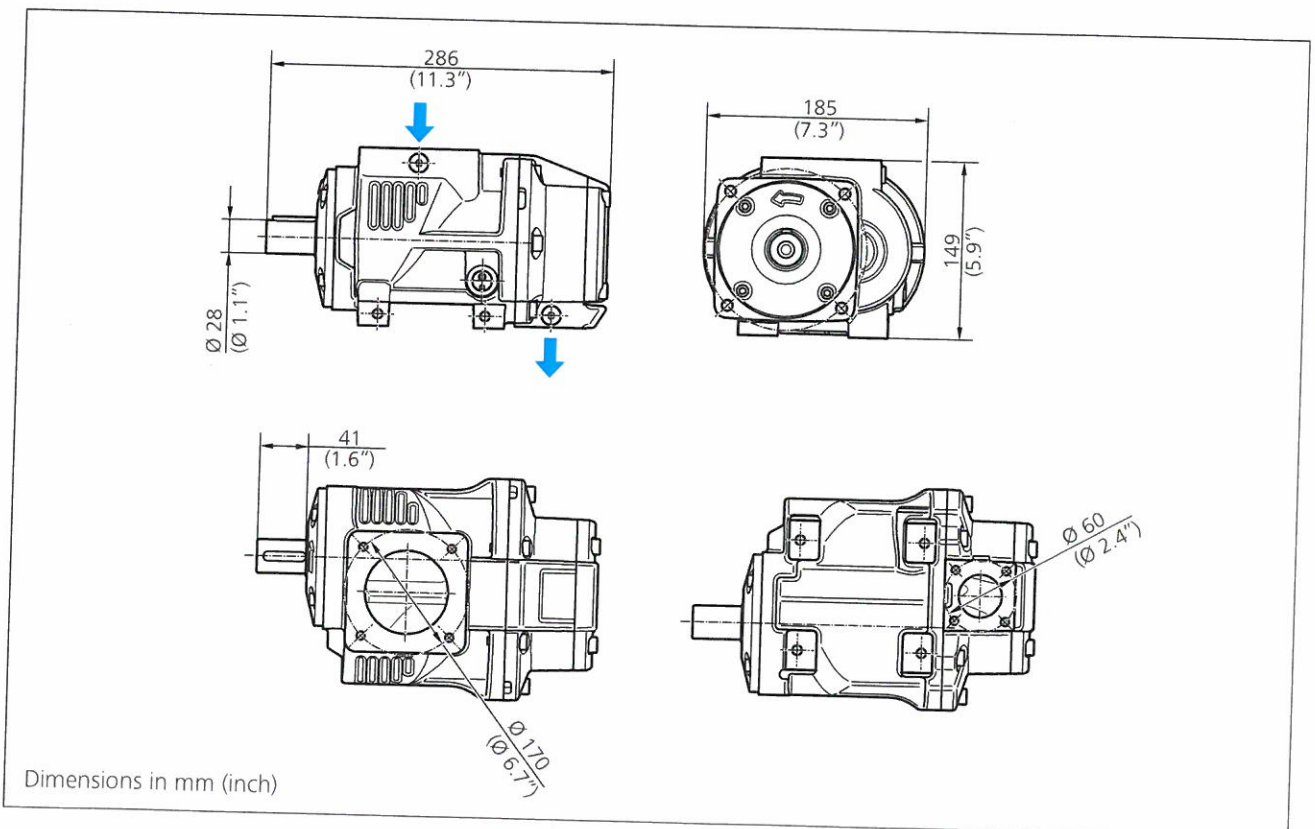
## Air end



### TECHNICAL SPECIFICATION

› Power range up to	55 kW / 75 HP
› Capacity up to	8.4 m <sup>3</sup> /min / 300 cfm
› Pressure up to	15 barg / 220 psig
› Weight approx.	68 kg / 150 lbs

### ››› Dimensioning

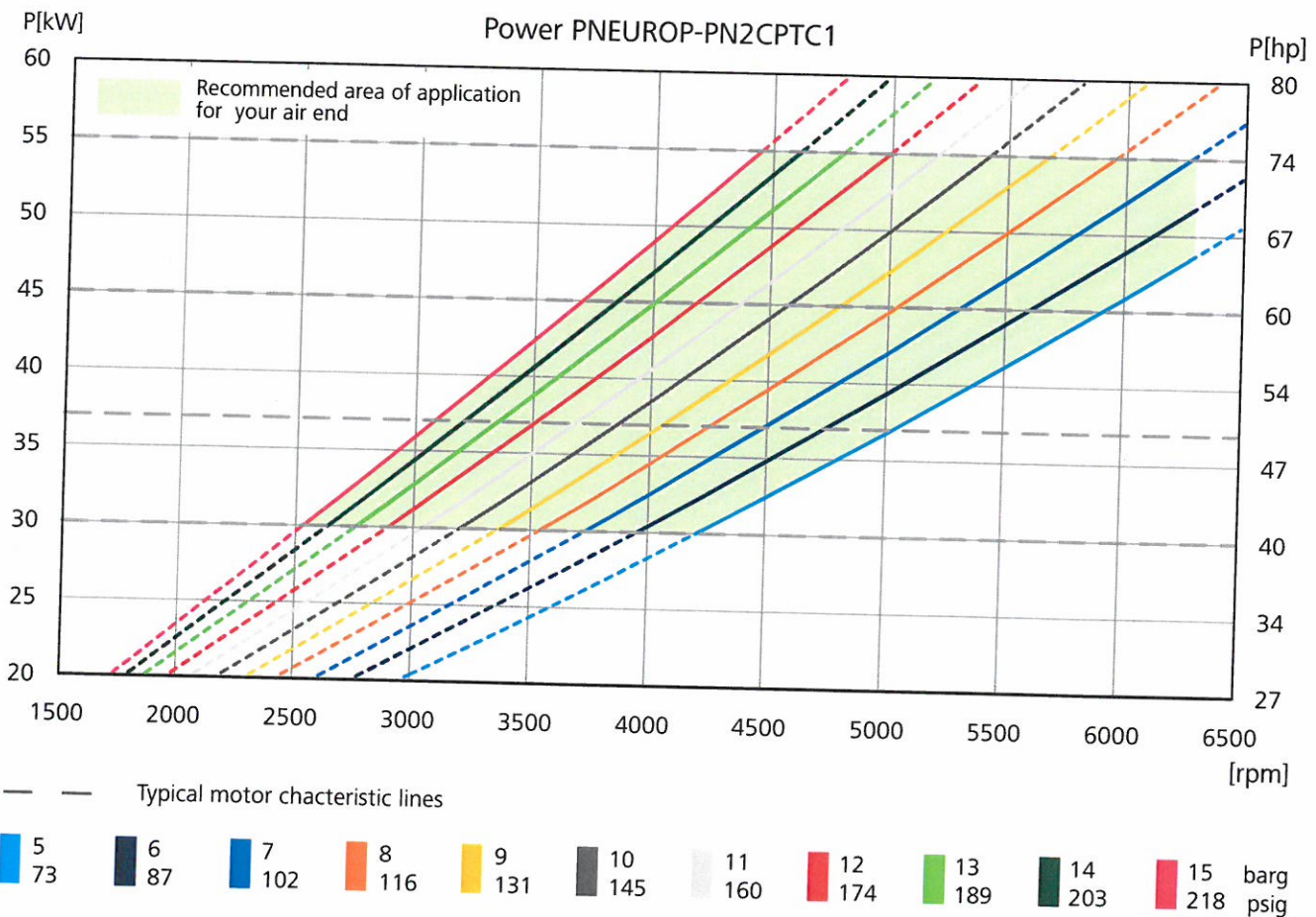
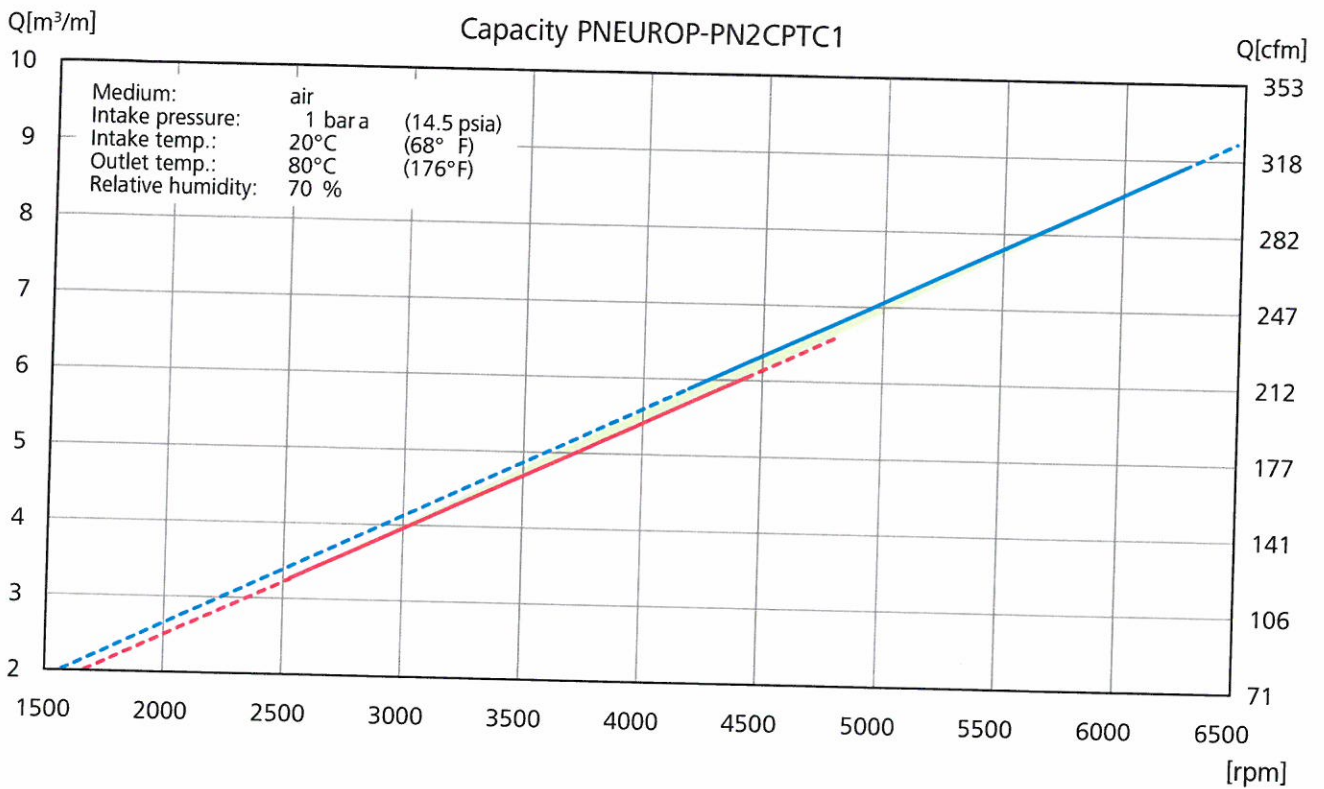


For detailed design, please order the installation drawing/3d model.

Technical modifications and errors excepted!  
© 2013 ROTORCOMP®, Germany



# Performance Data

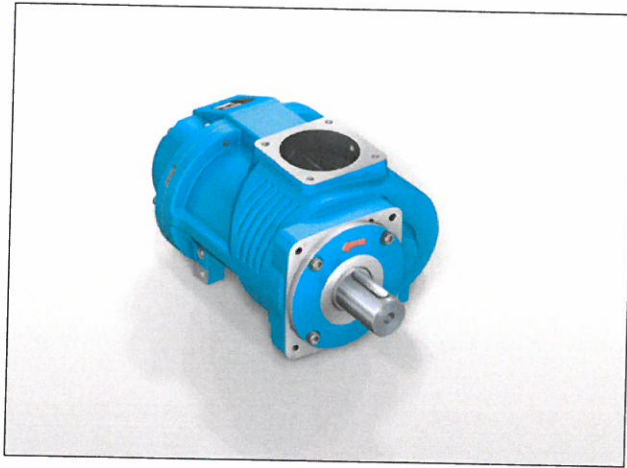


Technical modifications and errors excepted!  
 © 2013 ROTORCOMP®, Germany

[www.rotorcomp.de](http://www.rotorcomp.de)

# EVO 15

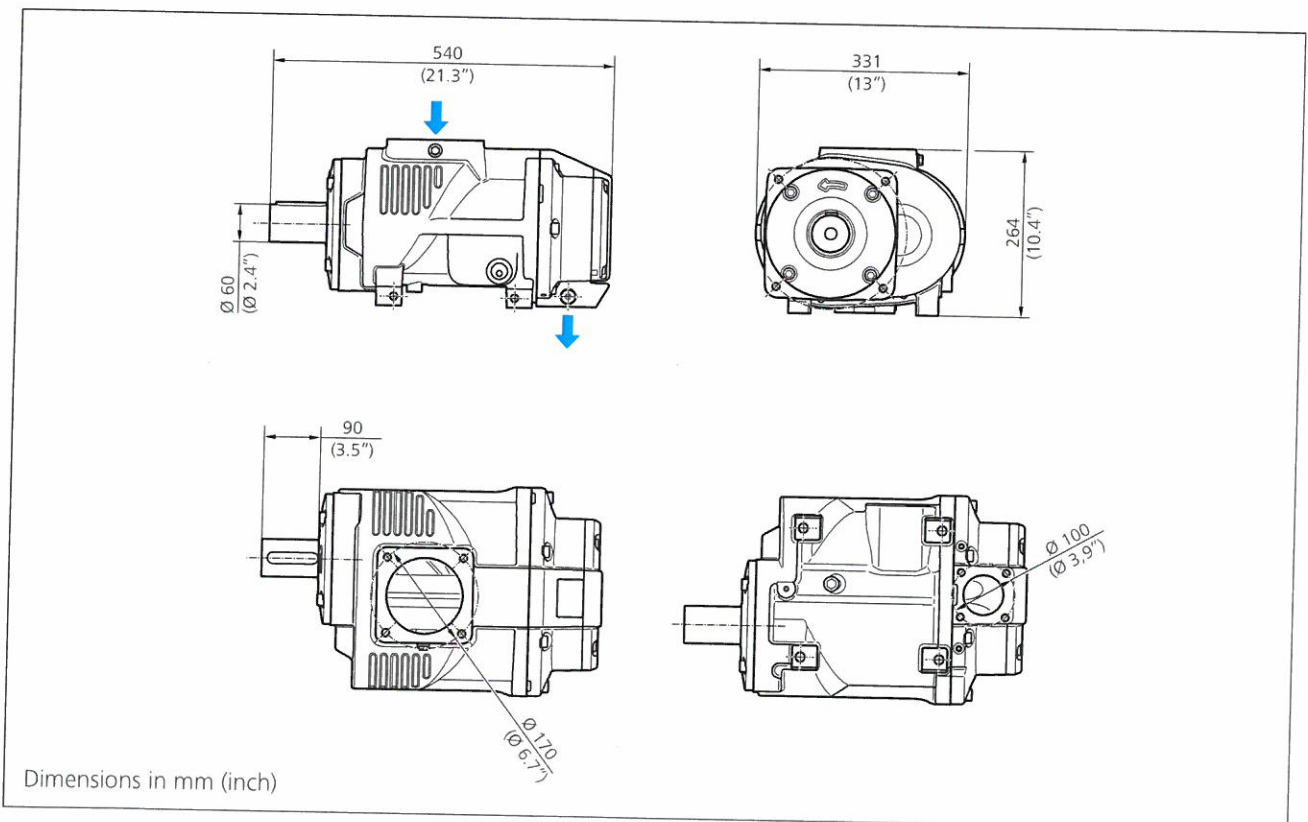
Air end



## TECHNICAL SPECIFICATION

› Power range up to	90 kW / 125 HP
› Capacity up to	14.4 m <sup>3</sup> /min / 510 cfm
› Pressure up to	15 barg / 220 psig
› Weight approx.	126 kg / 278 lb

## ››› Dimensioning

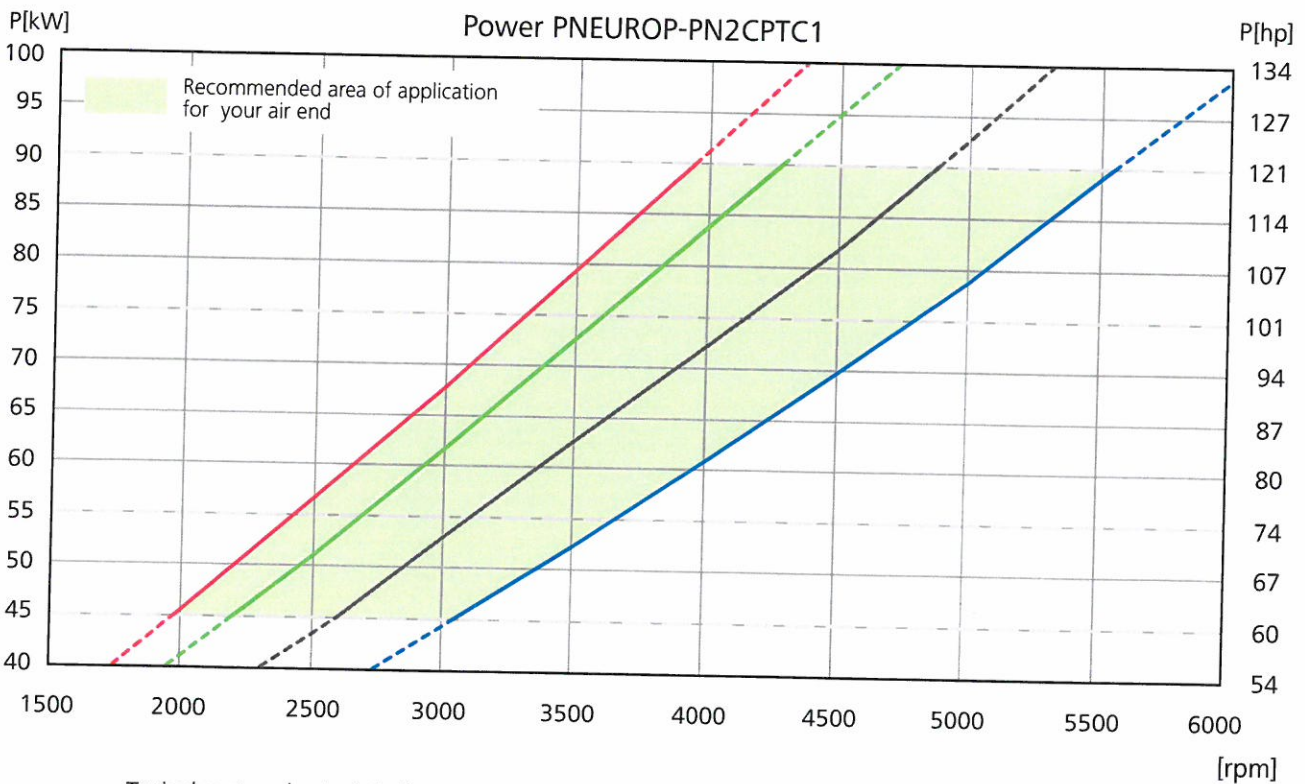
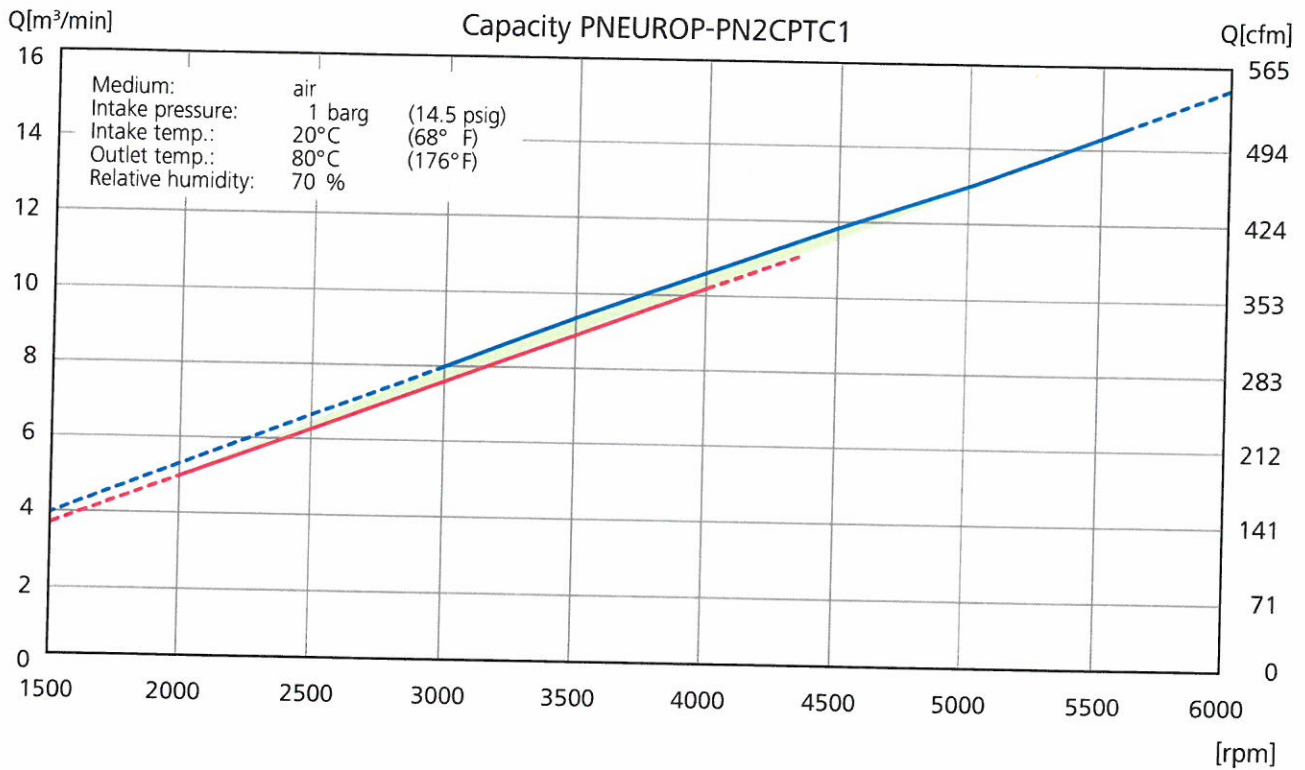


For detailed design, please order the installation drawing/3d model.

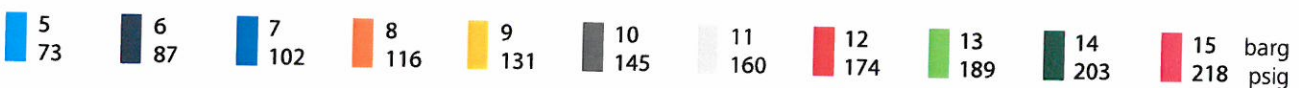
Technical modifications and errors excepted!  
© 2013 ROTORCOMP®, Germany



# Performance Data



— Typical motor characteristic lines

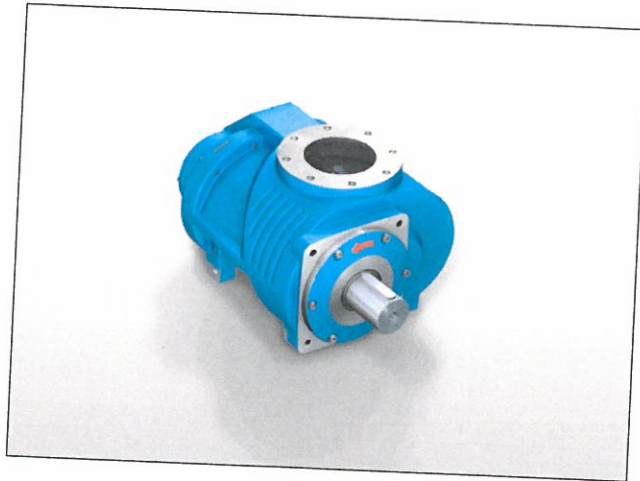


Technical modifications and errors excepted!  
 © 2013 ROTORCOMP®, Germany

[www.rotorcomp.de](http://www.rotorcomp.de)

# EVO 28

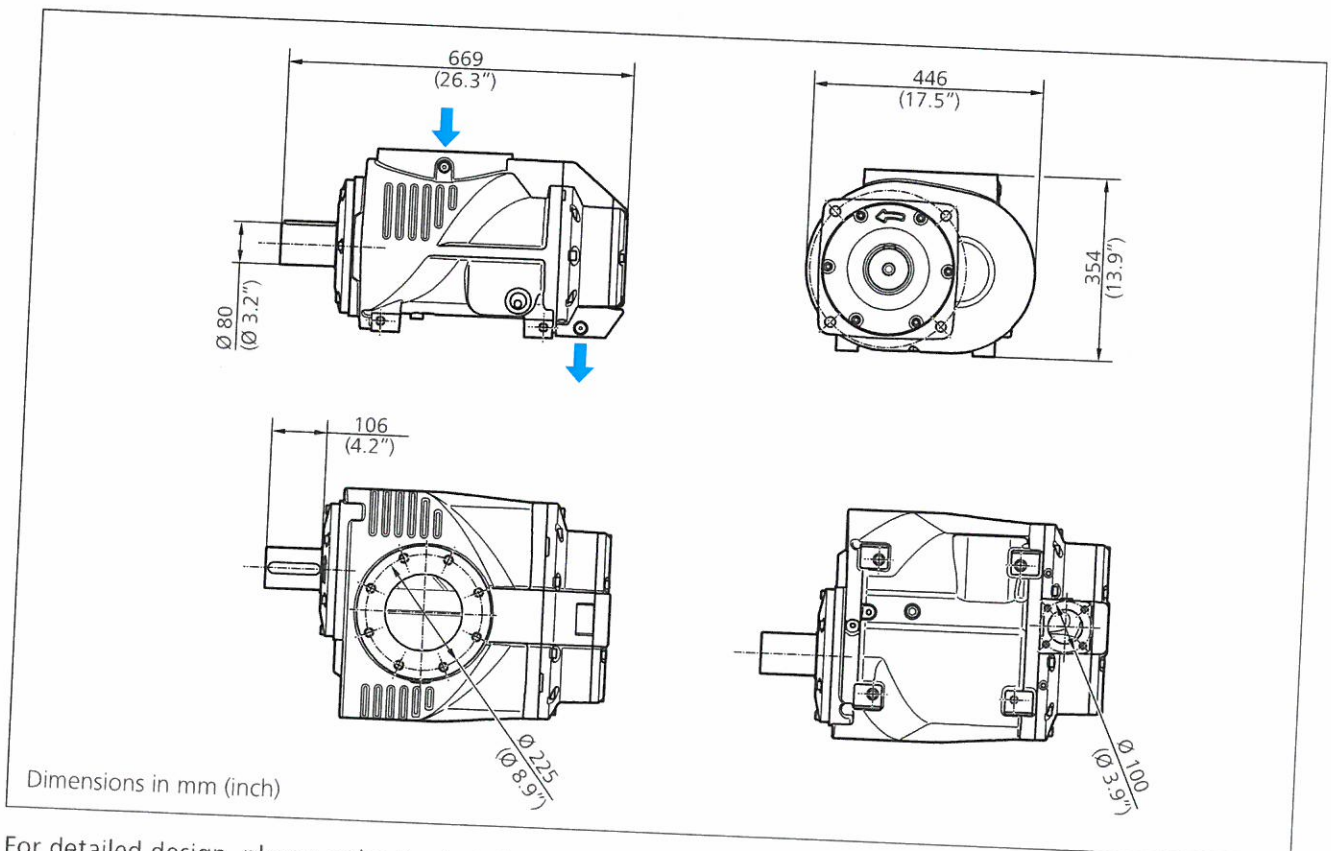
## Air end



### TECHNICAL SPECIFICATION

› Power range up to	160 kW / 210 HP
› Capacity up to	26 m <sup>3</sup> /min / 920 cfm
› Pressure up to	15 barg / 220 psig
› Weight approx.	269 kg / 593 lbs

### ››› Dimensioning

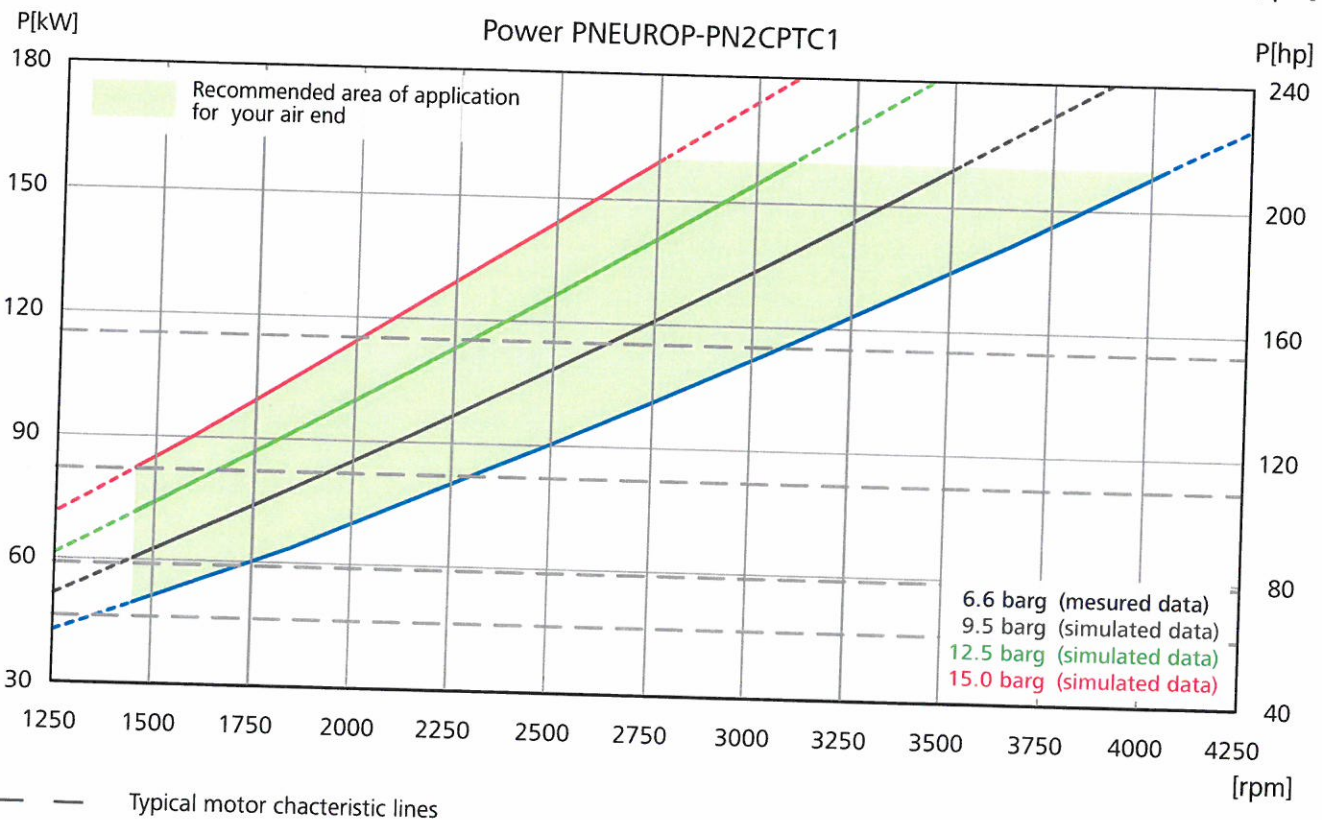
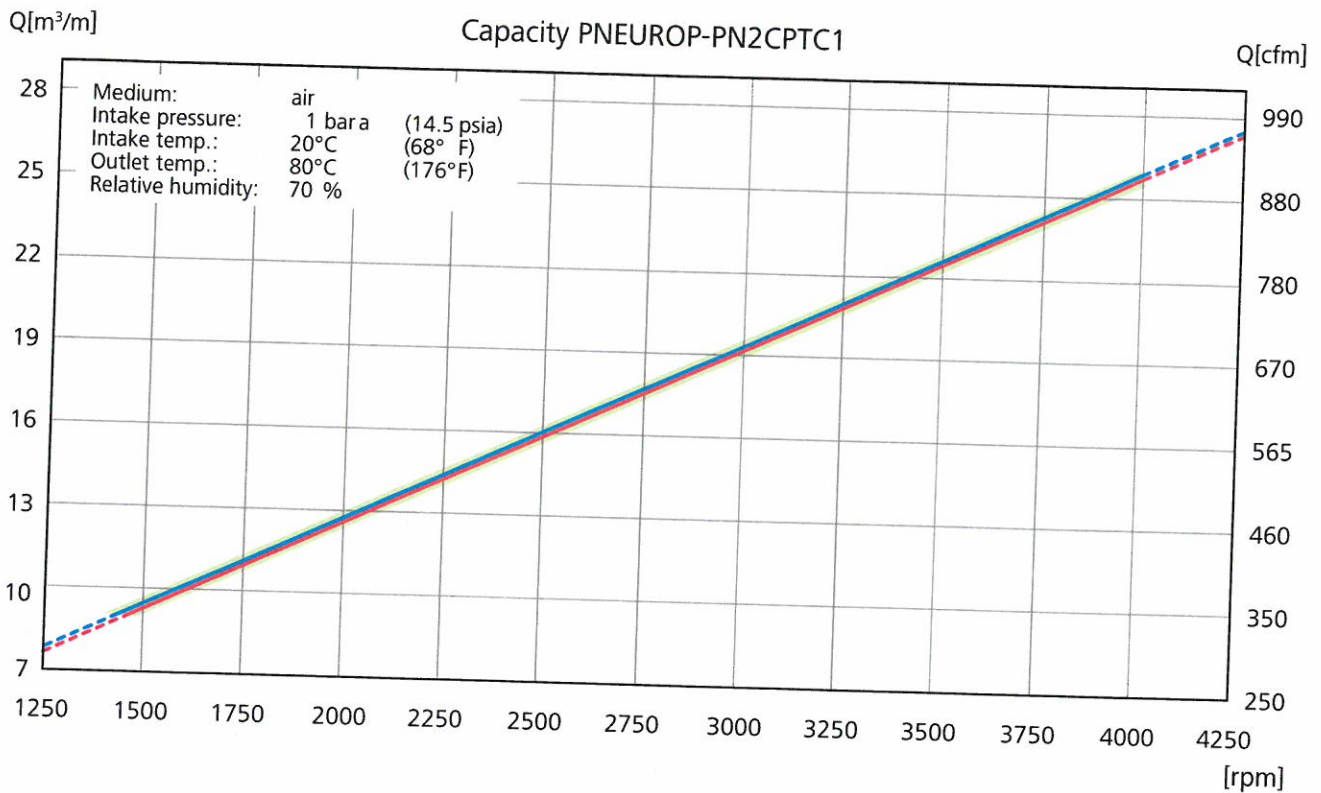


For detailed design, please order the installation drawing/3d model.

Technical modifications and errors excepted!  
© 2013 ROTORCOMP®, Germany



# Performance Data



— Typical motor characteristic lines



Technical modifications and errors excepted!  
 © 2013 ROTORCOMP®, Germany

[www.rotorcomp.de](http://www.rotorcomp.de)

# EVO42

## Air end



### TECHNICAL SPECIFICATION

- › Power range up to 250 kW / 340 HP

---

- › Capacity up to 38.4 m<sup>3</sup>/min / 1356 cfm

---

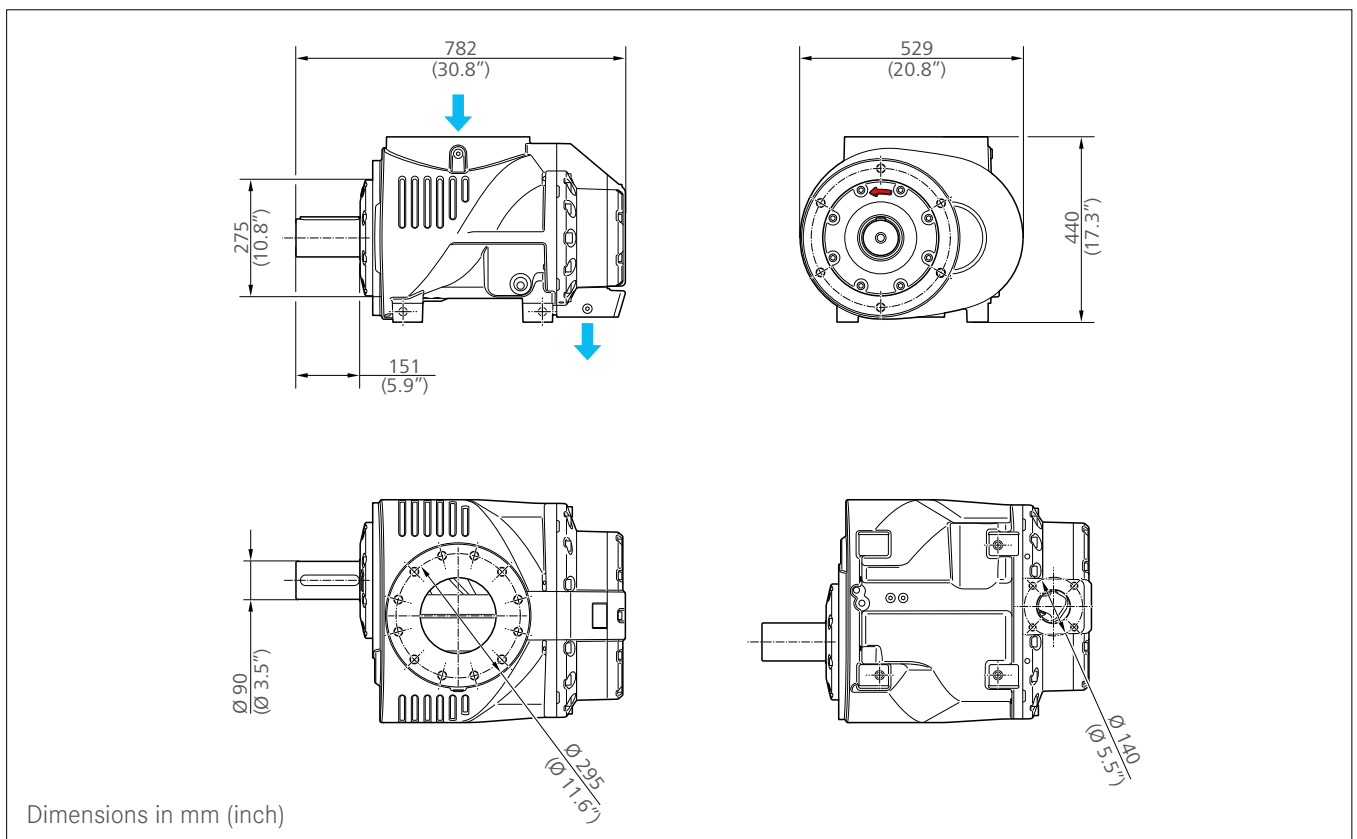
- › Pressure up to 15 barg / 218 psig

---

- › Weight approx. 474 kg / 1045 lbs

---

### ››› Dimensioning

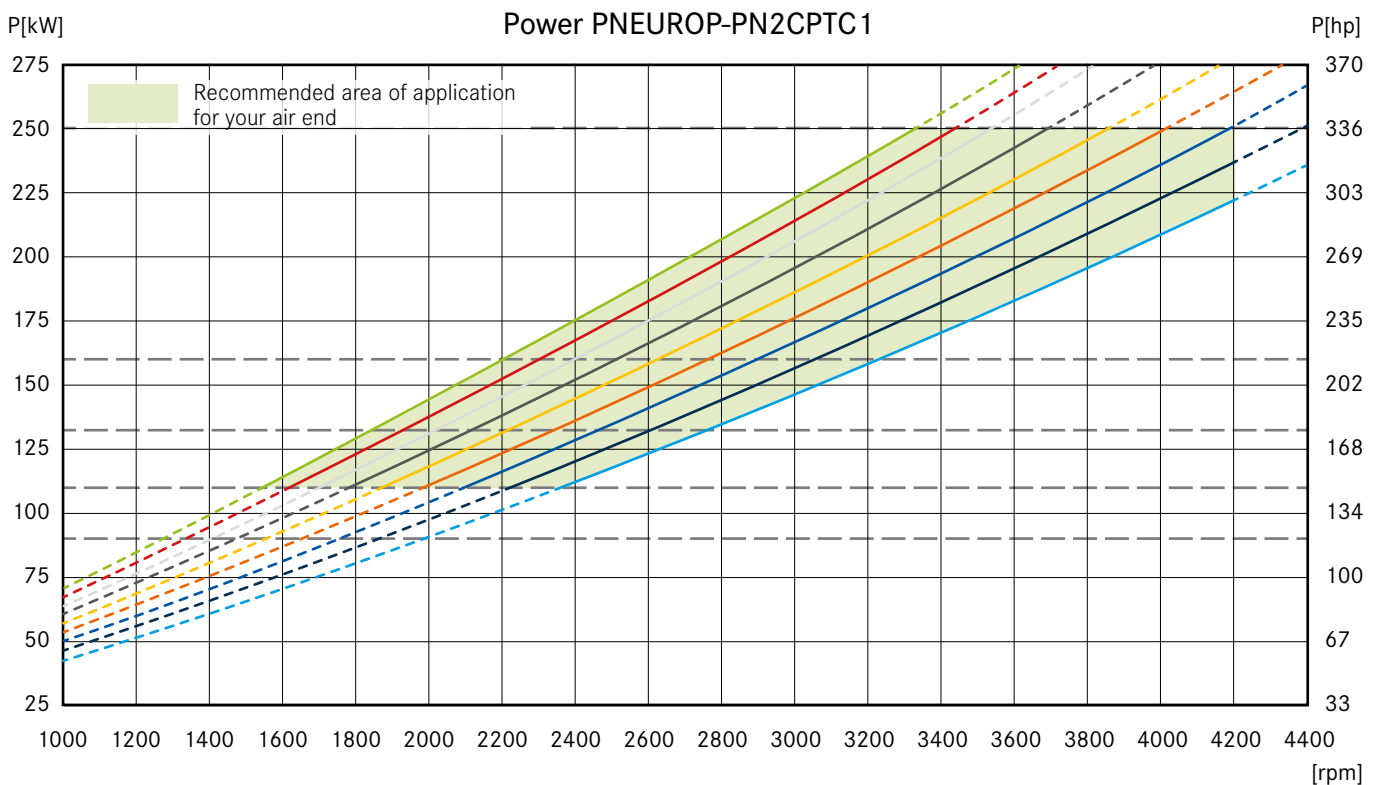
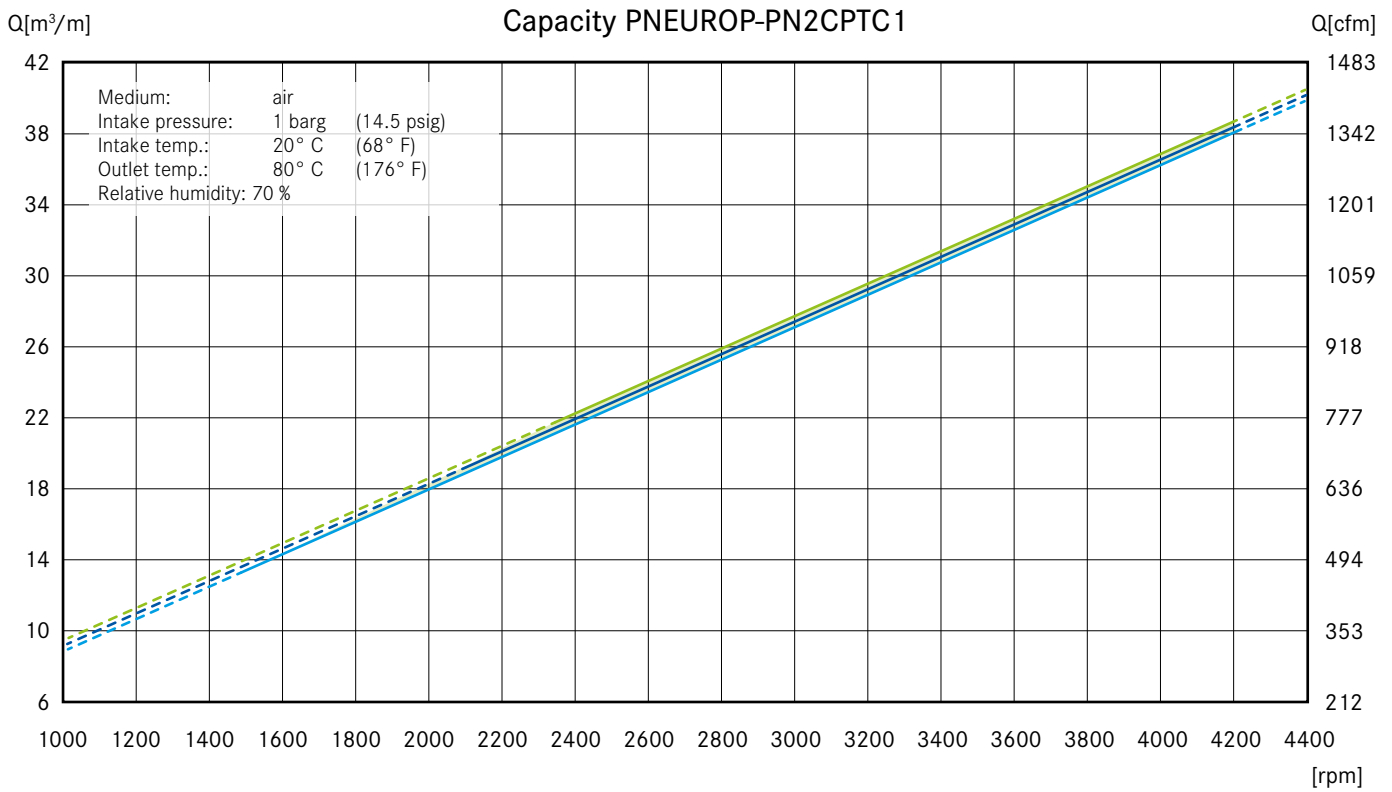


For detailed design, please order the installation drawing/3d model.

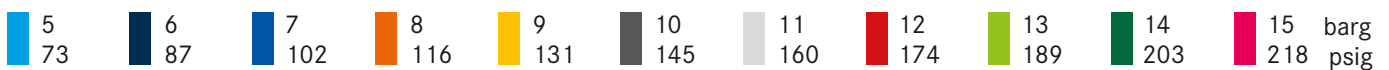
Technical modifications and errors excepted!  
© 2018 ROTORCOMP®, Germany



# Performance Data



----- Typical motor chacteristic lines



Technical modifications and errors excepted!  
 © 2018 ROTORCOMP®, Germany

[www.rotorcomp.de](http://www.rotorcomp.de)