

Design

Mikropor Makroline Air Intake Filters are designed to provide maximum performance for customers with extremely high dust capacity and low pressure drop air intake filter demands. Makroline filters are also suitable for use in higher temperature environments.

Applications

Mikropor Makroline Air Intake Filters are designed for medium and heavy dust load conditions for applications such as Air Compressors, Construction Machines, Agricultural Machines, Harvesting Machines, etc.

Advantages

The advantages of Makroline Air Intake Filters are:

- Operational reliability,
- Long service life thanks to its highly efficient and reliable filter elements,
- Low pressure drop,
- Impact resistant corrosion free housing polypropylene,
- Excellent price/performance ratio.

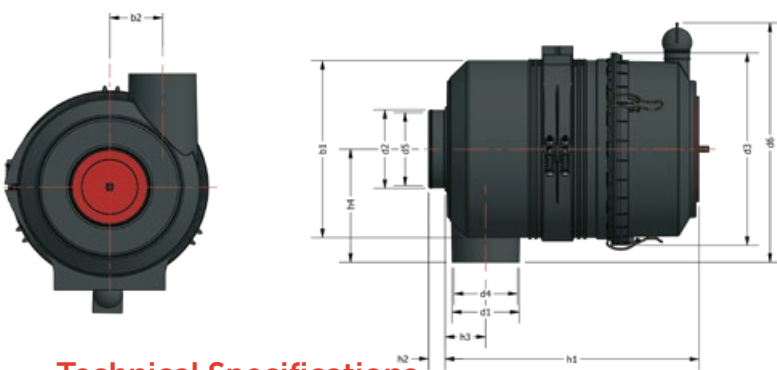
Mikropor Makroline Air Intake Filters’ user friendly and flexible bracket system provides the ability for easy installation. The brackets can be turned in various positions, providing numerous fitting possibilities. Mikropor’s versatile production offers these brackets in different sizes.



General Working Conditions for Makroline Air Intake Filters

Type	Overall Design	Volumetric Flow Range (m ³ /min)	Continuous Operating Temperature	Short Time Maximum Operating Temperature
Makroline Air Intake Filters	Highly Reliable Plastic Air Cleaner Housing with High Quality Element Center Tube in Housing Radial Seal	3 m ³ /min to 28 m ³ /min	-30°C to +80°C	+100°C

1) Air Intake Filter Models with Single Inlet

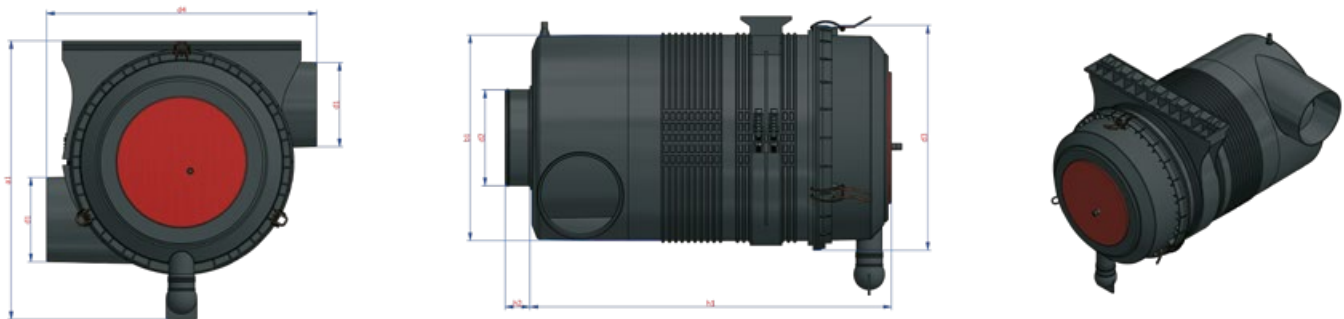


Technical Specifications

Model	b1	b2	d1	d2	d3	d4	d5	d6	h1	h2	h3	h4	Nominal Flow Rate (m ³ /min)	Compressor Connection Type
MAFH-0430	164	48	55	30	185	52	23	245	263	27	43	103	1-3	External Clamped
MAFH-0440	164	48	55	40	185	52	33	245	263	27	43	103	1-3	External Clamped
MAFH-0450	164	48	55	50	185	52	43	245	263	27	43	103	1-3	External Clamped
MAFH-05040	179	50	62	40	200	58	34	260	330	27	47	112	2-5	External Clamped
MAFH-05050	179	50	62	50	200	58	44	260	330	27	47	112	2-5	External Clamped
MAFH-05060	179	50	62	60	200	58	54	260	330	27	47	112	2-5	External Clamped
MAFH-05070	179	50	62	70	200	58	63	260	330	27	47	112	2-5	External Clamped
MAFH-0576	179	50	62	76	200	58	70	260	330	27	47	112	2-5	External Clamped

Model	b1	b2	d1	d2	d3	d4	d5	d6	h1	h2	h3	h4	Nominal Flow Rate (m ³ /min)	Compressor Connection Type
MAFH-0350	142	45	52	50	160	49	47	209	292	26	56	94	3-4	External Clamped
MAFH-0360	142	45	52	60	160	49	57	209	292	26	56	94	3-4	External Clamped
MAFH-09070	230	67	82	70	251	78	63	320	388	27	55	145	4-9	External Clamped
MAFH-09090	230	67	82	90	251	78	83	320	263	27	43	103	4-9	External Clamped
MAFH-09100	230	67	82	100	251	78	93	320	263	27	43	103	4-9	External Clamped
MAFH-1270	200	53	94	70	227	89	64	293	330	27	47	112	12-14	External Clamped
MAFH-12100	200	53	94	100	227	89	94	293	330	27	47	112	12-14	External Clamped
MAFH-17100	297	86.5	110	100	323	104	93	399.5	330	27	47	112	17	External Clamped
MAFH-17110	297	86.5	110	110	323	104	103	399.5	292	26	56	94	17	External Clamped
MAFH-17130	297	86.5	110	130	323	104	123	399.5	292	26	56	94	17	External Clamped

2) Air Intake Filter Models with Double Inlet



Technical Specifications

Model	a1	b1	d1	d2	d3	d4	h1	h2	Nominal Flow Rate (m ³ /min)	Compressor Con. Type
MAFH-19100	436	322	132	100	352	424	414.5	42	19	External Clamped
MAFH-19110	436	322	132	110	352	424	414.5	42	19	External Clamped
MAFH-19130	436	322	132	130	352	424	414.5	42	19	External Clamped
MAFH-19150	436	322	132	150	352	424	414.5	42	21	External Clamped
MAFH-21100	436	322	132	100	352	424	444.5	42	21	External Clamped
MAFH-21110	436	322	132	110	352	424	444.5	42	21	External Clamped
MAFH-21130	436	322	132	130	352	424	444.5	42	23	External Clamped
MAFH-21150	436	322	132	150	352	424	444.5	42	23	External Clamped
MAFH-23100	436	322	132	100	352	424	474.5	42	23	External Clamped
MAFH-23110	436	322	132	110	352	424	474.5	42	23	External Clamped
MAFH-23130	436	322	132	130	352	424	474.5	42	25	External Clamped
MAFH-23150	436	322	132	150	352	424	474.5	42	25	External Clamped
MAFH-25100	436	322	132	100	352	424	504.5	42	25	External Clamped
MAFH-25110	436	322	132	110	352	424	504.5	42	25	External Clamped
MAFH-25130	436	322	132	130	352	424	504.5	42	27	External Clamped
MAFH-25150	436	322	132	150	352	424	504.5	42	27	External Clamped
MAFH-27100	436	322	132	100	352	424	534.5	42	27	External Clamped
MAFH-27110	436	322	132	110	352	424	534.5	42	27	External Clamped
MAFH-27130	436	322	132	130	352	424	534.5	42	29	External Clamped
MAFH-27150	436	322	132	150	352	424	534.5	42	29	External Clamped
MAFH-29100	436	322	132	100	352	424	534.5	42	29	External Clamped
MAFH-29110	436	322	132	110	352	424	534.5	42	29	External Clamped
MAFH-29130	436	322	132	130	352	424	534.5	42	29	External Clamped
MAFH-29150	436	322	132	150	352	424	534.5	42	29	External Clamped